

## MAD-569-I

## MAD-569-I-B

### Addressable sounder with VAD base kit

## Description

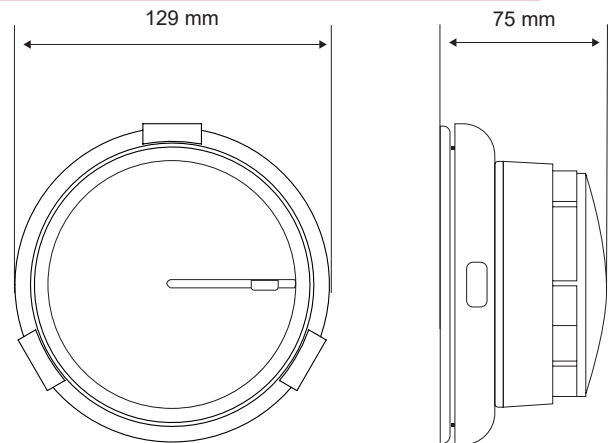
The MAD-569-I and MAD-569-I-B sounder with VAD base kit has been designed to be used in a Detnov's addressable system and it is a basic element of acoustic signalling within a fire protection system.

MAD-569-I and MAD-569-I-B is directly connected to the loop and it takes up to 1 address in the loop. It needs to be addressed by the PGD-300 programmer or by auto addressing.

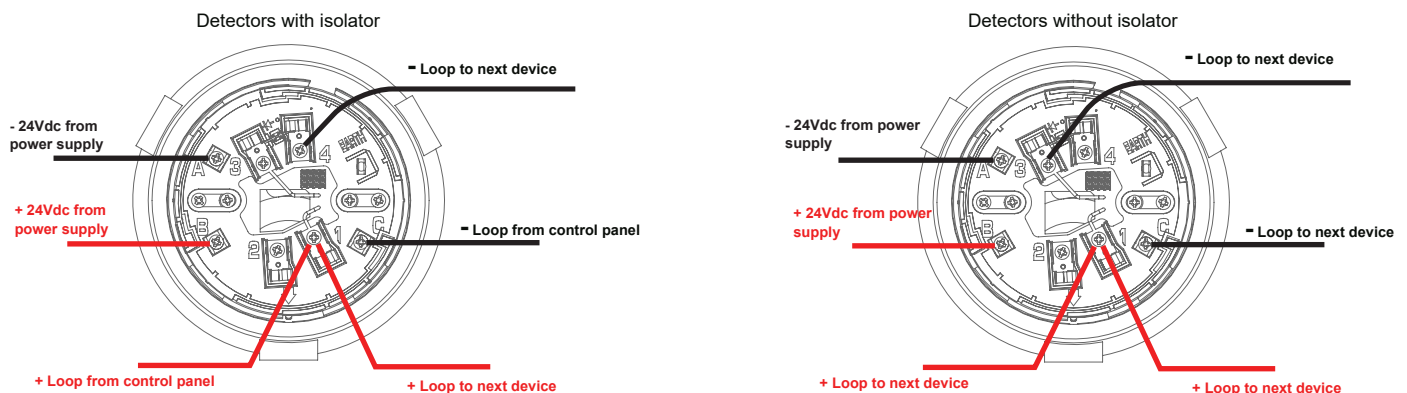
It has 32 selectable tones via micro switch and 4 configurable volumes: low, medium-low medium-high and high, as well as the coverage of the visual device by adjusting the power of the LED between low and high

## Features and Dimensions

- Up to 32 tones
- Default C3-9,2 coverage
- Low consumption
- Direct power supply from the loop or from auxiliary 24V input
- Connection with removable terminal blocks, easy to terminalise
- Built-in isolator
- EN 54-3, EN 54-17 and EN 54-23 approved
- Compatible with Detnov's addressable detectors and control panels



## Wiring



The addressable sounders are designed to be powered directly from the loop or from an external 24V power supply. If using the external 24V power supply, connect (-) to terminal A and (+) to terminal B.

## Applications

Addressable sounders MAD-569-I and MAD-569-I-B are used to warn people in a building to start the evacuation procedure if necessary. They are basic devices in any installation along with manual call points and detectors.

## Technical features

Sounder- VAD	
Loop features:	
Operating voltage:	From 23 to 38VDC
Quiescent current consumption:	
feeding from the loop	1,5 mA (low power consumption and low coverage (2))
external 24Vdc power supply:	0,6 mA (low power consumption and low coverage (2))
Alarm consumption	2,2 mA (power consumption in the loop (2))
feeding from the loop:	24 mA (low power consumption and low coverage (2))
external 24Vdc power supply:	12,5 mA (low power consumption and low coverage (2))
	3 mA (power consumption in the loop (2))
Volume:	92 dB(A) @1m, 970 Hz. continuous tone (2) @24V
	Up to 32 selectable tones
	4 configurable volumes: low (by default), medium-low, medium-high and high
	High coverage (C3-15)
	Low coverage (C3-9,2)
Connections	
	2 x 1.5 mm <sup>2</sup> twisted and shielded cable (1)
Environment	
Operating temperature:	From -10°C to +55°C
Relative humidity:	95% without condensation
IP Index:	IP21C
Physical features	
Dimensions (height x Ø):	129 mm x 75 mm (with detector)
Material:	ABS V0
Colour MAD-569-I:	White
Colour MAD-569-I-B:	Black
Weight	240 g
Approvals	
EN 54-3, EN 54-17 and EN54-23	
Certificate number:	0370-CPR-6359

(1) Shielded if necessary.

(2) Check with "System calculator" tool the maximum number of devices and the loop lenght according to the cable cross-section used data based on the default configuration

## Accessories



TBD-470

Protective cap for the sounder bases.  
Colour white



TBD-470-B

Protective cap for the sounder bases.  
Colour black